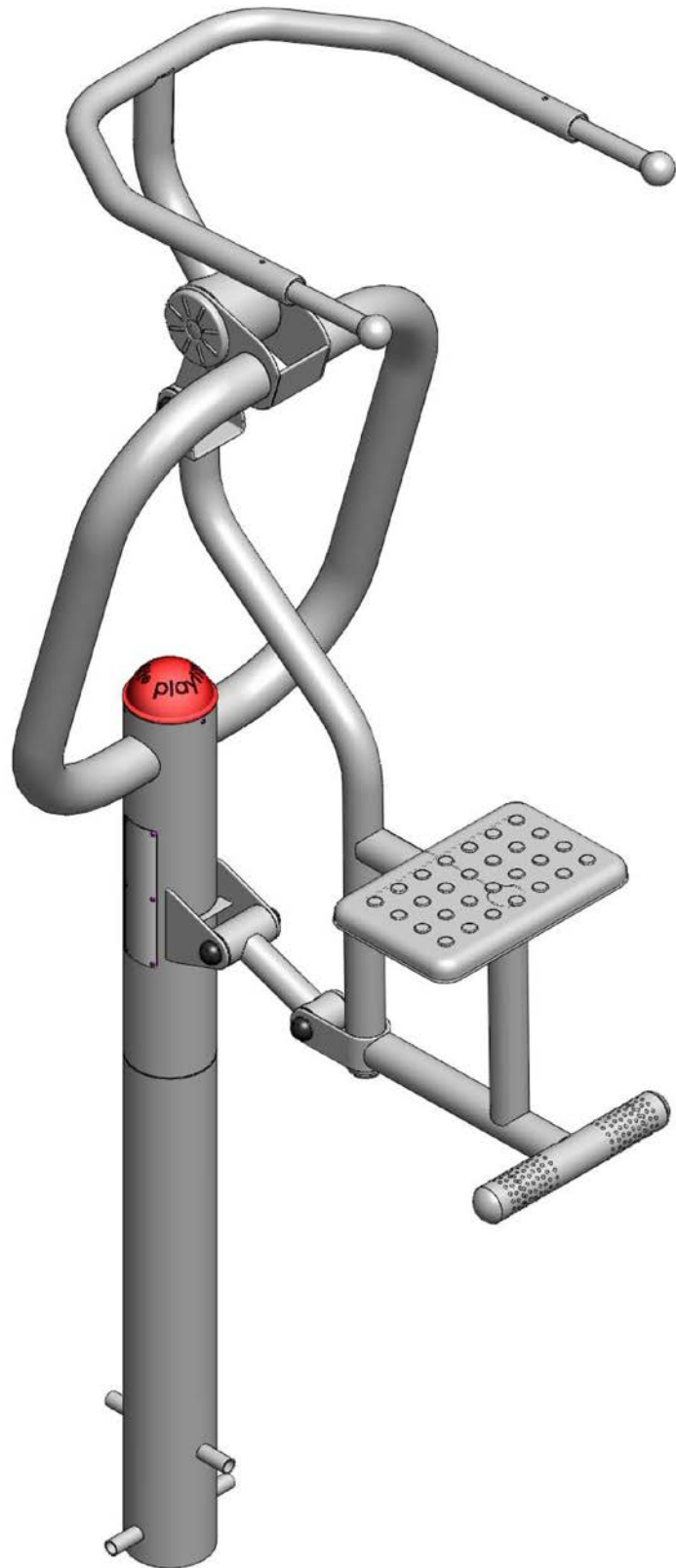


playfit®
outdoor-fitness

3D Diagram including Anchorage
3D Darstellung mit Fundamentverankerung
JS-0558D
Sit and Pull
Oberkörpertrainer - Ziehen

Date/Stand:
01.08.2018

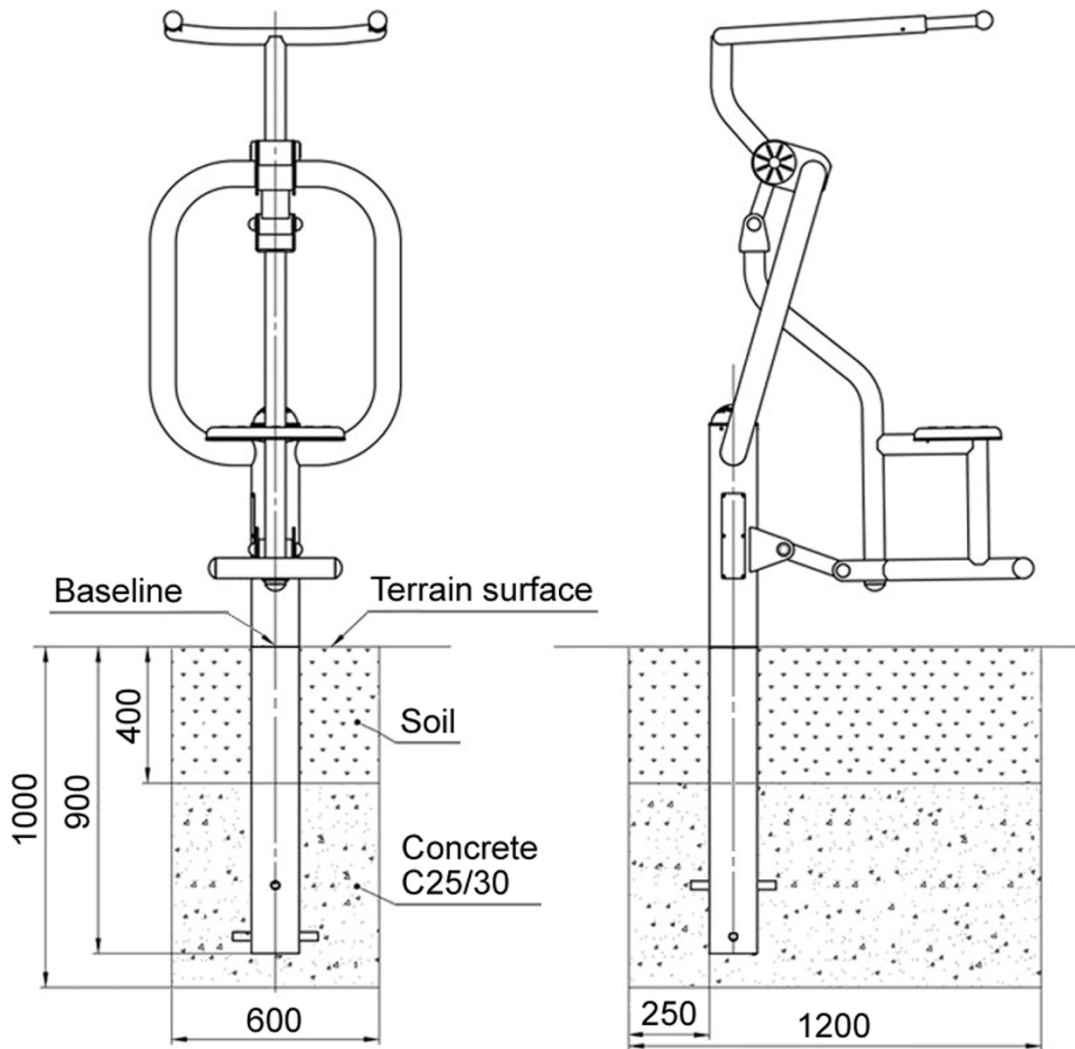


Erstellt von
playfit® RZ

Prüfung und Freigabe:
Datum, Name

Version: 1/DE

<p>playfit® outdoor-fitness</p>	<p>Foundation Plan Fundamentplan</p> <p>JS-0558D</p> <p>Sit and Pull Oberkörpertrainer - Ziehen</p>	<p>Date/Stand: 01.08.2018</p>
--	--	-----------------------------------



All dimensions in mm


Foundation (L x W x H): 1200 mm x 600 mm x 600 mm

All dimensions indicated are in millimetres (mm)

Diagram is not according to scale (components shown for illustrative purposes only)

Baseline marking on support-tubes of playfit® equipment indicates terrain surface and must still be just visible after installation and completion of groundwork.

<p>Erstellt von playfit® RZ</p>	<p>Prüfung und Freigabe: Datum, Name</p>	<p>Version: 1/EN</p>
--	--	----------------------

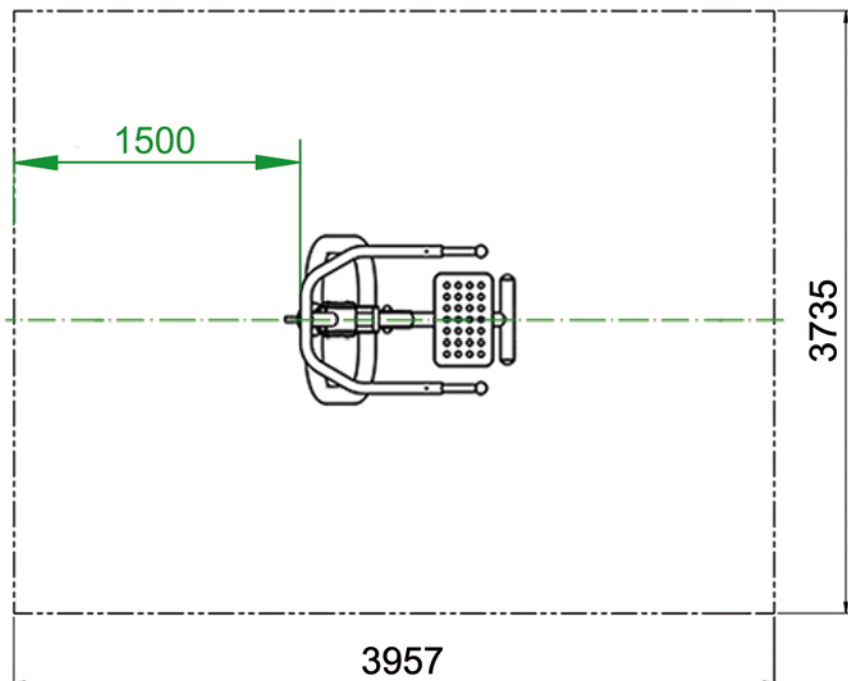
 outdoor-fitness	Foundation Plan Fundamentplan JS-0558D Sit and Pull Oberkörpertrainer - Ziehen	Date/Stand: 01.08.2018
--	---	---------------------------

Foundations

- This completely pre-assembled playfit® piece of equipment must be installed/set in concrete as described in the playfit® Operating Guidelines in Chapter 7 "Assembly Instructions" and in the "Device-Specific Foundation Plans and Technical Data Sheets"
- Specifications of foundation such as dimensions and depth of equipment in foundation: please refer to device-specific Foundation Plan
- The construction of the foundation conforms to EU norms for concrete surfaces EN 206 (additionally in Germany: according to DIN 1045 "Tragwerke aus Beton, Stahlbeton und Spannbeton") and according to accepted practice for carrying-out such work as described in the norms.
- C25/30 is, in general, an acceptable quality for concrete

Position of the device within the area of movement

Area of movement: 3957 mm x 3735 mm

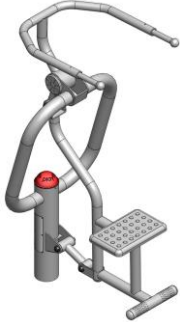


All dimensions in mm

Required surface material: see Technical Data Sheet

Erstellt von playfit® RZ	Prüfung und Freigabe: Datum, Name	Version: 1/EN
-----------------------------	--------------------------------------	---------------

 outdoor-fitness	Technical Data Sheet Gerätedatenblatt JS-0558D Sit and Pull Oberkörpertrainer - Ziehen	Date/Stand: 01.08.2018
--	---	---------------------------

Model: Sit and Pull	
Model No.	JS-0558D
Equipment dimensions <ul style="list-style-type: none"> ▪ Base area (Length x Width) ▪ Total height ▪ Height above ground surface 	950 mm x 735 mm 2770 mm 1870 mm
Training space Length x Width x Height	2100 mm x 2000 mm x 2347 mm
Free height of fall (Height above ground surface of seat/foot support)	Max. seat height: 847 mm
Movement space Length x Width x Height	3957 mm x 3735 mm x 2347 mm
Required surface material	No requirements
Weight of apparatus (± 2 kg)	70.8 kg
Weight of heaviest component (± 1 kg)	Foundation support tube with welded on segment (Part No. 1): 35.5 kg
Dimensions of largest component	Foundation support tube with welded on segment (Part No. 1): 735 mm x 410 mm x 2385 mm
Components most susceptible to wear & tear	1 Pcs. Protective cap for foundation support tube Ø 140 (Part No.11) 4 Pcs. 55° limit block (Part No. 15) 2 Pcs. Ball bearing 6006-2RS1 (Part No.16) 6 Pcs. Ball bearing 6205-2RSH (Part No. 17) 6 Pcs. Base of protective cap for screw (Part No. 21) 6 Pcs. Protective cap for screw (Part No. 22)
Specifications of foundation <ul style="list-style-type: none"> ▪ Number required ▪ Base area ▪ Total depth ▪ Depth of apparatus in foundation ▪ Depth of apparatus below base line 	1 per Model 1200 mm x 600 mm 600 mm 500 mm 900 mm

Erstellt von playfit ® RZ	Prüfung und Freigabe: Datum, Name	Version: 1/EN
-------------------------------------	--------------------------------------	---------------